

DLT-V73 Series

Rugged x86-Based Vehicle-Mounted Terminal



Features

- 10.4"/12.1" color TFT XGA display
- Intel® Core™ i5-1145GRE quad-core, 1.5 GHz, 8/16 GB RAM or Intel® Celeron® 6305E dual-core 1.8 GHz, 8/16 GB RAM
- IK08-certified touchscreen for impact tolerance and abrasion resistance
- Full IP66 rating for protection from water and dust ingress
- 5M3 shock and vibration resistance verified
- Wide operating temperature range (-30 ~ 50 °C / -22 ~ 122 °F) to withstand extreme environments
- Optional uninterruptible power supply via battery pack (up to 20 minutes of operation)
- Supports Windows and Linux
- Certified with SOTI and Navis N4 software
- Equipped with DeviceOn software for remote device management

DeviceOn/iService

Introduction

Advantech's DLT-V73 series is an x86-based industrial grade vehicle-mounted terminal (VMT) designed for the most demanding applications to provide maximum system uptime. The slim and compact design allows it to fit into the smallest of vehicle cabinets. The compact design not only consumes minimal installation space, but it also minimizes obstructions to road visibility, thereby improving driving safety. The DLT-V73 is designed to withstand operation in extreme industrial environments, whether it is hot and humid, or cold and dry. Moreover, DLT-V73 can support both Windows and Linux operating systems, making it an ideal VMT for a wide range of smart applications, such as warehouse management, port management, heavy-duty operations, and industrial manufacturing. The integrated Wi-Fi 6 WLAN Kit offers excellent wireless connectivity for uninterrupted data transmission. Meanwhile, the scratch-resistant touchscreen ensures easy data input and gloved operation. By using latest technology optical bonding, the display provides a clear and bright image. Lastly, DLT-V73 is equipped with Advantech's DeviceOn software, which is a next-generation unified device management solution based on the WISE-DeviceOn platform. With support for batch operations and multi-device control, DeviceOn enables easy device configuration and deployment for convenient remote device management. To sum up, Advantech's DLT-V73 offers a rugged VMT solution, which supports both Windows and Linux operating systems and ensures easy and cost-effective migration and device management. This makes it easy for businesses to keep up with their existing needs and remain scalable for future upgrades.

Specifications

| | | |
|------------------------|---|--|
| System | CPU | Intel® Core™ i5-1145GRE quad-core, 1.5 GHz, with 8/16 GB RAM LPDDR4X Intel® Celeron® 6305E dual-core, 1.8 GHz, with 8/16 GB RAM LPDDR4X |
| | TPM | TPM 2.0 |
| | TPU/VPU | Google Coral Card M.2 Accelerator* (optional) |
| | Storage | 128 GB or 256 GB CFast |
| Dimensions (W x H x D) | DLT-V7310 | 268 x 267 x 57 mm (10.6 x 10.5 x 2.2 inch) |
| | DLT-V7312 | 298 x 290 x 67 mm (11.7 x 11.4 x 2.6 inch) |
| | DLT-V7312P+ | 298 x 270 x 67 mm (11.7 x 10.6 x 2.6 inch) |
| Weight | DLT-V7310 | 4.0 kg (8.7 lb) |
| | DLT-V7312 | 4.8 kg (10.5 lb) |
| | DLT-V7312P+ | 4.6 kg (10.1 lb) |
| Housing | Completely sealed, fanless design made of coated aluminum | |
| Display | DLT-V7310 | 10.4" XGA color TFT with 1024 x 768 resolution and 500 cd/m ² brightness, Aspect Ratio: 4:3 |
| | DLT-V7312 / 12P+ | 12.1" XGA color TFT with 1024 x 768 resolution and 600 cd/m ² brightness, Aspect Ratio: 4:3 |
| Touchscreen | Resistive touchscreen | DLT-V7310 with 10" XGA display, 12 keys DLT-V7312 with 12" XGA display, 12 keys |
| | PCT Projective capacitive touchscreen | DLT-V7310 with 10" XGA display, 12 keys DLT-V7312 with 12" XGA display, 12 keys DLT-V7312P+ with 12" XGA display, 3 keys |
| | Resistive Touchscreen with Defroster* | DLT-V7310 with 10" XGA display, 12 keys DLT-V7312 with 12" XGA display, 12 keys |
| Control Buttons | Front Panel 10" & 12" | 12 x control buttons |
| | Front Panel 12" P+ | 3 x control buttons |
| OS | Operating System | Windows 11 IoT Enterprise, Windows 10 IoT Enterprise LTSC, Debian-based Linux |
| Communication | WLAN | WLAN diversity; IEEE 802.11 a/b/g/n/ac/ax (Wi-Fi 6: 2.4GHz; 5GHz; 6GHz) |
| | WWAN, GPS* | WWAN (LTE, UMTS, HSPA+, GPS) (optional) |
| | LAN | 1 x LAN (10/100/1000/2500 Mbit/s), 1 x LAN (10/100/1000 Mbit/s) |
| | WPAN | Bluetooth 5.3 |
| | NFC | NFCIP-1 and NFCIP-2, ISO/IEC 14443, ISO/IEC 15693, MIFARE |

* Feature under development

DLT-V73 Series

| | | |
|-------------------------|---|---|
| Interfaces | Serial | 1 x COM RS-232: 5 V _{DC} / 12 V _{DC} / RI (switchable) |
| | USB | 2 x USB-A 3.2 Gen 1, 1 x USB-C 3.2 Gen 2, 1 x Service USB-C 3.2 Gen 2 |
| AddOn Module (optional) | External Antenna | 1 x RSMA for WLAN, 1 x SMA for WWAN (optional), 1 x SMA for GPS (optional) |
| | Available options: | 1 x USB to Serial COM RS-232/RS-485/RS422 (switchable)* 1 x USB-A 3.2 (Gen1) 1 x LAN (10/100/1000 Mbit) 1 x Digital I/O* 1 x CAN bus (CAN2.0/J1939/CAN FD)* |
| Sensors | | 1 x Ambient light sensor for automatic brightness control 1 x Accelerometer 1 x Gyroscope |
| Audio | | 2 x integrated Stereo-Loudspeaker (2 x 2.5 W) |
| Power Supply | | 12/24/48V certified vehicle power; Automatic power on/off function via vehicle ignition Optional uninterruptible power supply (UPS) via battery pack (supports up to 20 minutes of operation; battery life may vary according to load) (UPS for Celeron only; UPS for i5 will be available in 2024) |
| Environmental | IP Rating | IP66 rating for the entire system |
| | Operating Temperature | -30 ~ 50 °C (-22 ~ 122 °F) |
| | Storage Temperature | -30 ~ 60 °C (-22 ~ 140 °F) |
| | Relative Humidity | 10 to 90% at 40 °C (104 °F), non-condensing |
| | Shock/Vibration | 5M3 (EN 60721-3-5) MIL-STD 810F (US highway truck vibration exposure) |
| Certifications | | CE Immunity Class A, Emission Class B/FCC Class B (for EU and USA), CCC (for China), UKCA |
| Software | Certified 3rd Party Software | SOTI, Navis, Staylinked* |
| | Advantech Device Management Software | DeviceOn* |
| | DLT M-suite pre-installed software package | MDevice MKeyboard MWedge MBlank MPair MTouch |
| | <ul style="list-style-type: none"> ▪ Free of charge ▪ Features may vary by model and OS | |

* Feature under development

Ordering Information

For Worldwide Models

| System Part Number | Model Name | Display | Front Keys | Touch | System |
|--------------------|---------------------|-----------|------------|------------------|---|
| DLV7310-2PQ110W00 | DLT-V7310P Celeron | 10.4" XGA | 12 keys | Capacitive Touch | Intel® Celeron® 6305E dual-core, 1.8 GHz, 8 GB RAM LPDDR4X, 128GB CFast, Wi-Fi 6 WLAN module kit with integrated Antenna + RSMA plug for external Antenna connection, Windows 10 IoT Enterprise LTSC 2021, integrated DC power supply |
| DLV7312-2PQ110W00 | DLT-V7312P Celeron | 12.1" XGA | 12 keys | Capacitive Touch | |
| DLV7312-2QQ110W00 | DLT-V7312P+ Celeron | 12.1" XGA | 3 keys | Capacitive Touch | |
| DLV7310-4PQ110W00 | DLT-V7310P Core-i5 | 10.4" XGA | 12 keys | Capacitive Touch | Intel® Core™ i5-1145GRE quad-core, 1.5 GHz, 8 GB RAM LPDDR4X, 128GB CFast, Wi-Fi 6 WLAN module kit with integrated Antenna + RSMA plug for external Antenna connection, Windows 10 IoT Enterprise LTSC 2021, integrated DC power supply |
| DLV7312-4PQ110W00 | DLT-V7312P Core-i5 | 12.1" XGA | 12 keys | Capacitive Touch | |
| DLV7312-4QQ110W00 | DLT-V7312P+ Core-i5 | 12.1" XGA | 3 keys | Capacitive Touch | |

For US Models

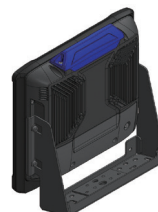
| System Part Number | Model Name | Display | Front Keys | Touch | System |
|--------------------|---------------------|-----------|------------|------------------|--|
| DLV7310-2PQ410W0C0 | DLT-V7310P Celeron | 10.4" XGA | 12 keys | Capacitive Touch | Intel® Celeron® 6305E dual-core, 1.8 GHz, 8 GB RAM LPDDR4X, 128GB CFast, Wi-Fi 6 WLAN module kit with integrated Antenna + RSMA plug for external Antenna connection, Windows 10 IoT Enterprise LTSC 2021, integrated DC power supply, UPS |
| DLV7312-2PQ410W0C0 | DLT-V7312P Celeron | 12.1" XGA | 12 keys | Capacitive Touch | |
| DLV7312-2QQ110W0C0 | DLT-V7312P+ Celeron | 12.1" XGA | 3 keys | Capacitive Touch | |

Optional Accessories

| Part Number | Description |
|-------------|--|
| DL-MTKT013 | Mounting bracket mobile 15 grade fixed For V73 |
| DL-MTRM004 | RAM-Mount Set, one arm, arm length 130mm |
| DL-MTRM001 | RAM-Mount Set, two arms, arm length 150mm |
| 9768MDKT035 | USB3.1 Type-C to USB3.0 Type-A female OTG 15cm cable |

Mount Kit Options

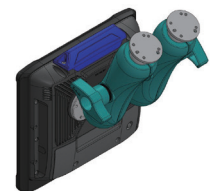
DL-MTKT013



DL-MTRM004



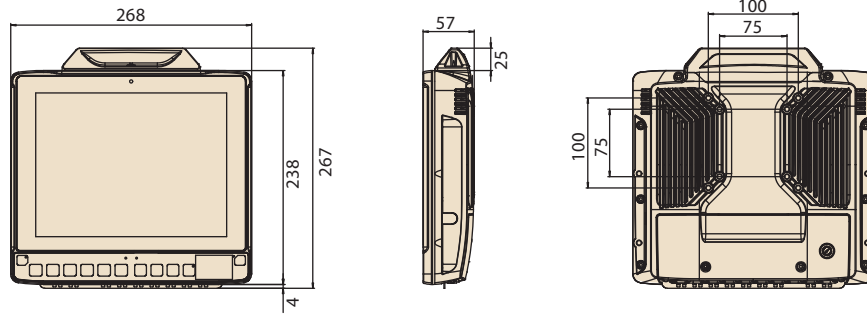
DL-MTRM001



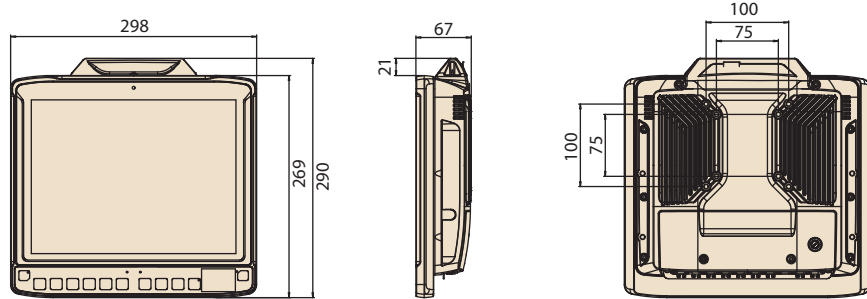
Dimensions

Unit: mm

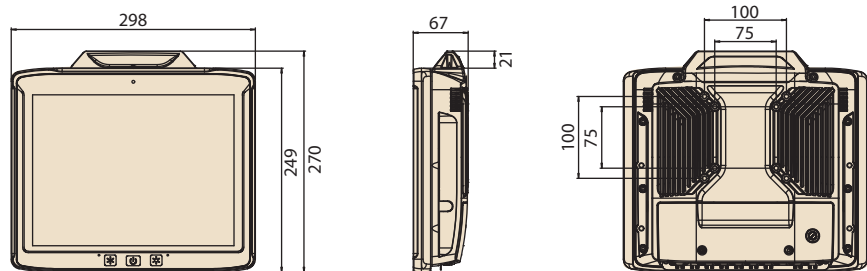
DLT-V7310



DLT-V7312



DLT-V7312P+



I/O Connectors

